

# Automatic Battery Charger



## Function:

Reliable Charger is a must for dedicated back up supply source for industrial control devices, starting of DG Sets.

Series PABC chargers are having I C Controlled voltage monitoring circuitry for constant check on battery voltage and automatic selection of mode of charging. Till battery is fully charged, it is under **BOOST** mode ensuring quick charging . When battery reaches pre-set voltage, it is shifted to **TRICKLE** mode.

It has heavy duty-double copper wound transformer, Full wave bridge rectifier. It has protections for over load, and against battery reverse connection.



## Application:

Battery Charging for dedicated systems.

## Specifications:

Mains Supply : 230 V AC +/- 10 % 50 Hz.  
 Battery Volts : 12, 24, 30, 36, 48 V.  
 Battery AH : 100-400 AH  
 Charging Current : 10, 15, 20, 25, 30, 50 A.  
 Transformer : Copper Double wound- Heavy duty  
 Rectifier : Full wave Bridge  
 Mode selection : Automatic  
 Boost / Trickle

Protection Charger  
 a) Mains incoming fuse  
 b) Out put fuse  
 c) Over Load  
 d) Battery Reverse Connection

Battery  
 a) Over Charging  
 c) Controlled charging rate

Instruments : Amps meter for Charging rate  
 : Volt meter for battery/ charger voltage

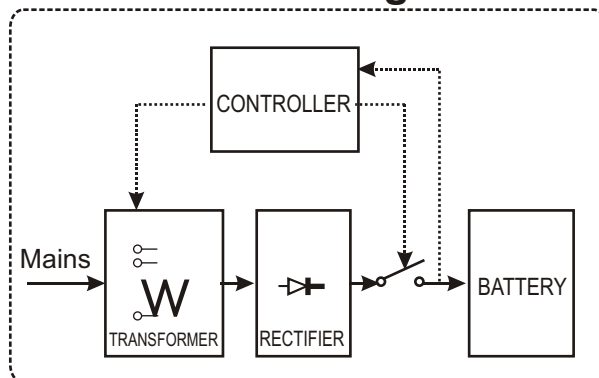
LED Indications : a) Mains  
 b) Boost  
 c) Trickle  
 d) Over Load  
 e) Battery Reverse

Terminals : Input supply by 3 pin Main cord  
 : Out put by heavy duty terminals.

Enclosure : Heavy duty Sheet Steel enclosure finished with powder coating.

- ✍ Auto Trickle / Boost selection
- ✍ Over current protection
- ✍ Battery Reverse protection
- ✍ Heavy duty Transformer
- ✍ Bridge Rectifier

## Block Diagram:



## Selection Chart

Battery Volt	Charging Current	Battery A.H.
12-24-30-36-48	10	100
	15	150
	20	200
24, 48	25	200
24, 48	30	200
24	50	400

Model No PABC XX XX

→ Charging Current  
 → Battery Voltage



**POWER SERVICES**  
 Innovative Power Solutions

33, Phears Lane, Kolkata -700 073  
 Ph./Fax (033) 2237-0508, 2236-0575.  
 Email: info@indiapowerhouse.net  
 Visit us at www.indiapowerhouse.com