

Auto Load Changeover Relay with Load limiter

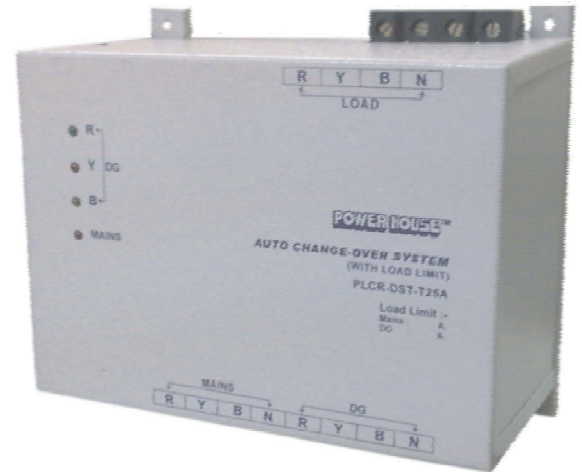


- a perfect solution for power sharing

Automatic Load Changeover Relay (PLCR) - is a high precision system for efficient distribution of generator power in multi-storied apartments, commercial complexes etc.

Series **PLCR-DS** are designed to connect mains supply to load till mains is present. On mains failure and receiving generator power, it connects the load to DG supply. During DG operation, load drawn is monitored. If the load exceeds the allotted limit, it disrupts the supply and rechecks in intervals. On reducing the load and keeping it within the limit, load is connected to DG supply.

For different applications, we have specific models. They are with load limiter, without load limiter, transfer of load from one phase to other phase and many additional functions



- **Automation at no extra cost.**
- **Generator power to all lighting points.**
- **No separate wiring is required.**
- **Assured availability of allotted current**
- **Space Saving**
- **Tamper proof & maintenance free.**
- **Safeguards Generator**
- **Fully solid state**
- **LED indication**
- **Wide range of single & three phase models.**

BAID POWER SERVICES P. LTD.

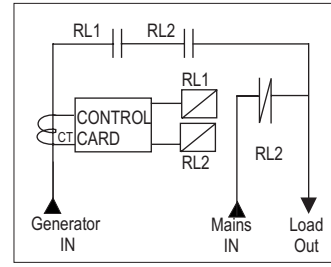
152, Block- B, GF, Lake Town, Tel: +91(033)2521 0322 Fax:+91(033)2534 3662

Email: info@indiapowerhouse.net, Web: www.indiapowerhouse.com

Technical Specification

For Single Phase supply and Single Phase DG

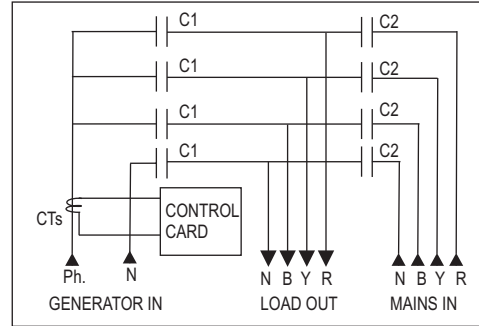
Model No PLCR-	DS-25	DS-25 A	DS-40	DS-60
Mains supply	Single Phase			
	S.P.		D.P.	
DG supply	Single Phase			
	S.P.	DP		S.P.
Load on Mains	25 A		40 A	60 A
Load limit on DG*	0.5 - 10 A		0.5 -20 A	0.5 -30 A
Initial Delay	5-10 Sec.			
Trip Delay	4-20 Sec. (proportion to over load)			
Re-ser Time	5-10 Sec.			
Enclosure	ABS molded		Sheet Steel	
Mounting	Rail		Wall/ Panel.	



PLCRDS is for 1 Ph. Load 1 Ph. DG.
It is suitable only for lighting loads & is not recommended for air conditioning, motor, heating, or any load requiring high in-rush current.

For Three Phase supply and Single Phase DG

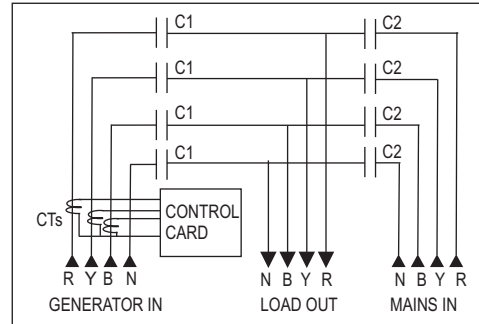
Model No PLCR-	DST-25	DS-T32	DS-T63	DS-T100
Mains supply	Three Phase F.P.			
DG supply	Single Phase DP			
Load on Mains	25 A	32 A	63 A	100 A
Load limit on DG*	1 -10 A	1 -15 A	2-25 A	2 -25 A
Initial Delay	5-10 Sec.			
Trip Delay	4-20 Sec. (proportion to over load)			
Re-ser Time	5-10 Sec.			
Housing	Sheet Steel			
Mounting	Wall/ Panel.			



PLCR DST- load will be connected to 1 Ph. supply of the DG and is available across load.

For Three Phase supply and Three Phase DG

Model No. PLCR-	DS-T25A	DS-T32A	DS-T63A	DS-T100A
Mains supply	Three Phase F.P.			
DG supply	Three Phase F.P.			
Load on Mains	25 A	32 A	63 A	100 A
Load limit on DG*	1 -10 A	1 -15 A	2-25 A	2 -25 A
Initial Delay	5-10 Sec.			
Trip Delay	4-20 Sec. (proportion to over load)			
Re-ser Time	5-10 Sec.			
Housing	Sheet Steel			
Mounting	Wall/ Panel.			



PLCR DSXX A load on each phase is monitored. System will trip if load on any phase is over the set value. This series is ideal for three phase load during DG.

PLCR-DX 30

Automatic Changeover cum engine switch off system specially for portable petrol/ kerosen generator.

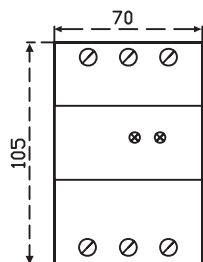
Mains capacity	30 Amps.
Generator	20 Amps.

Notes:

1. While calculating load capacity for Mains add up total load irrespective of simultaneous operation or not.
2. Generator load limit to be set in Amps. ignoring power factor. Hence there may be apparent discrepancy in equating ampere. with watts especially at low power factor.
3. It is advisable to connect MCB at the incoming supply Mains and ELCB at the load outgoing side of the changeover.

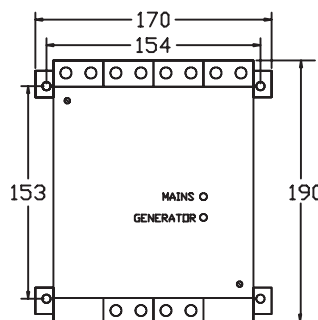
DIMENSION DRAWINGS

All dimensions are in mm



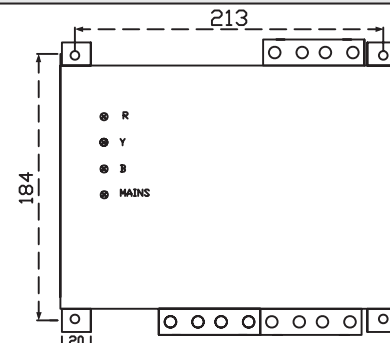
LxWxH: 105 x 70 x 60

PLCR-DS-25/25A
PLCR-DX 30



LxWxH: 190 x 170 x 125

PLCR-DST-25/25A
PLCR-DST-32/32A



LxWxH: 205 x 235 x 125

PLCR-DS-T25A/32A
PLCR-DS-T63A