

Servo Stabilizers 3 Phase

POWER HOUSE™

Function:

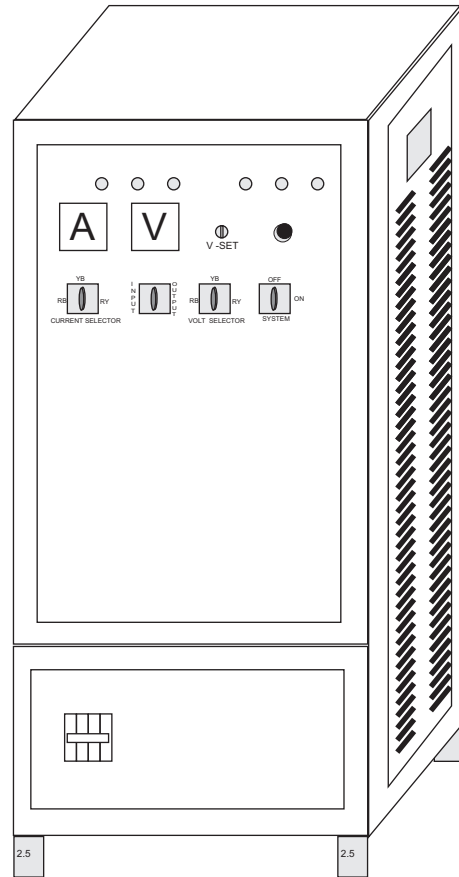
Servo Stabilizers series PST are three phase precision voltage stabilizers for protection against voltage fluctuations.

Application:

Servo stabilizers enhances the life and operating efficiency of sensitive Electrical/ Electronic equipments by providing precise voltage.

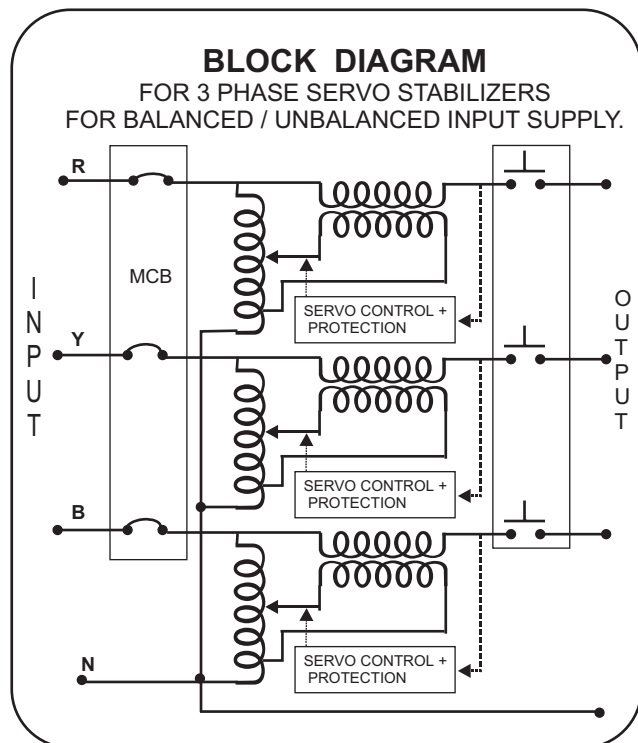
These are being used extensively with

- Medical and Analytical Institutes,
- Health care units,
- Banks & Financial Institutes,
- CNC machine tools,
- IT parks,
- Textile knitting machines
- Small and Medium Industries,
- Shopping Malls, Cinema Halls & Theaters,
- Office complexes,
- Quality Control and R & D centers.



Specifications:

KVA Capacity	: 6,10,12,15,22.5,30,50,74,100, 150, 200, 300 KVA.
Input range	: 293-456 V, 224-456 V,
Out put Volt.	: 398/415 V.
Accuracy	: +/- .5%
Auto Transformer	: Heavy Duty
Buck/ Boost Transformer:	Heavy Duty
Servo Motor	: High Torque, quick response.
Protections	: Under Volt, auto re-set : Over Volt, auto re-set : Over load, manual re-set
Indications	: Mains on : Under Volt, : Over Volt, : Over load,
Operation Alarm	: Auto/ Manual : Under Volt, : Over Volt, : Over Load,
Cooling	: Natural Air Cooled for 6,10,12,15 KVA : Forced Air Cooled for 22.5,30, KVA : Oil Cooled for 50,74,100, 150, 200, 300 KVA
Housing	: Heavy duty Sheet Steel Enclosure Finished with Powder Coated paint.
Mounting Optional	: Indoor Floor mounting. : Filter / Spike suppressor . : Manual By-pass switch



POWER SERVICES
Innovative Power Solutions

33, Phears Lane, Kolkata -700 073
Ph. (033) 2237-0508, 2236-0575.
Email: info@indiapowerhouse.net
Visit us at www.indiapowerhouse.com