

# Servo Stabilizers 3 Phase



## Function:

Servo Stabilizers series PST are three phase precision voltage stabilizers for protection against voltage fluctuations.

## Application:

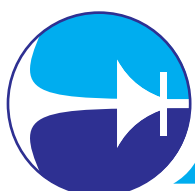
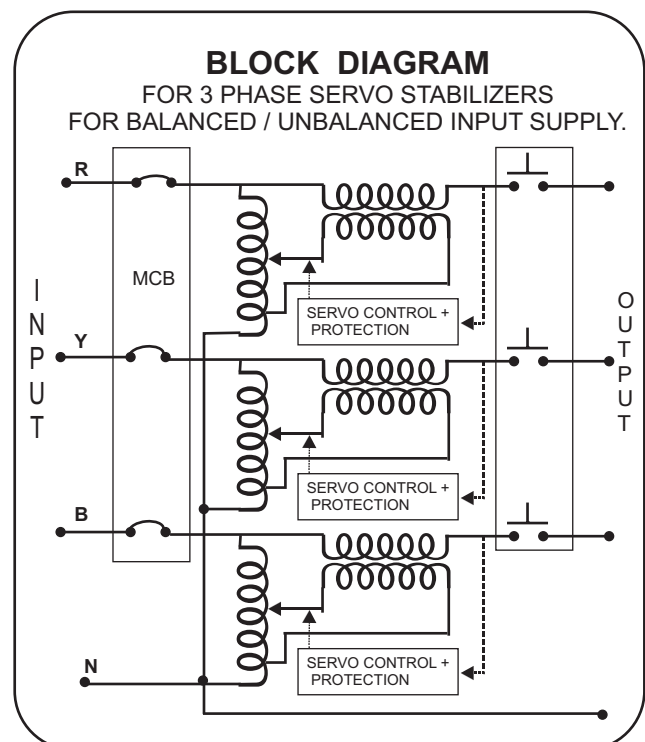
Servo stabilizers enhances the life and operating efficiency of sensitive Electrical/ Electronic equipments by providing precise voltage.

These are being used extensively with

- ! Medical and Analytical Institutes,
- ! Health care units,
- ! Banks & Financial Institutes,
- ! CNC machine tools,
- ! IT parks,
- ! Textile knitting machines
- ! Small and Medium Industries,
- ! Shopping Malls, Cinema Halls & Theaters,
- ! Office complexes,
- ! Quality Control and R & D centers.

## Specifications:

KVA Capacity	: 6,10,12,15,22.5,30,50,74,100, 150, 200, 300 KVA.
Input range	: 293-456 V, 224-456 V,
Out put Volt.	: 398/415 V.
Accuracy	: +/- .5%
Auto Transformer	: Heavy Duty
Buck/ Boost Transformer:	Heavy Duty
Servo Motor	: High Torque, quick response.
Protections	: Under Volt, auto re-set : Over Volt, auto re-set : Over load, manual re-set
Indications	: Mains on : Under Volt, : Over Volt, : Over load,
Operation	: Auto/ Manual
Alarm	: Under Volt, : Over Volt, : Over Load,
Cooling	: Natural Air Cooled for 6,10,12,15 KVA : Forced Air Cooled for 22.5,30, KVA : Oil Cooled for 50,74,100, 150, 200, 300 KVA
Housing	: Heavy duty Sheet Steel Enclosure Finished with Powder Coated paint.
Mounting	: Indoor Floor mounting.
Optional	: Filter / Spike suppressor . : Manual By-pass switch



**POWER SERVICES**  
Innovative Power Solutions

33, Phears Lane, Kolkata -700 073  
Ph.+91(033) 2237-0508, 2236-0575.  
Email: info@indiapowerhouse.net  
Visit us at www.indiapowerhouse.com